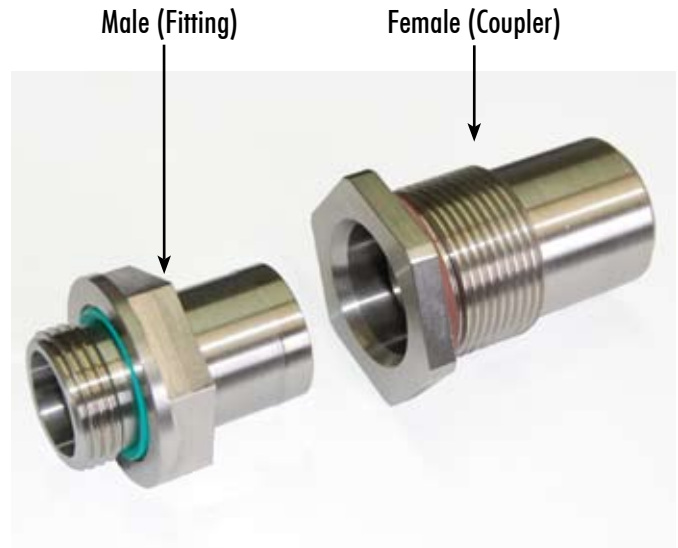


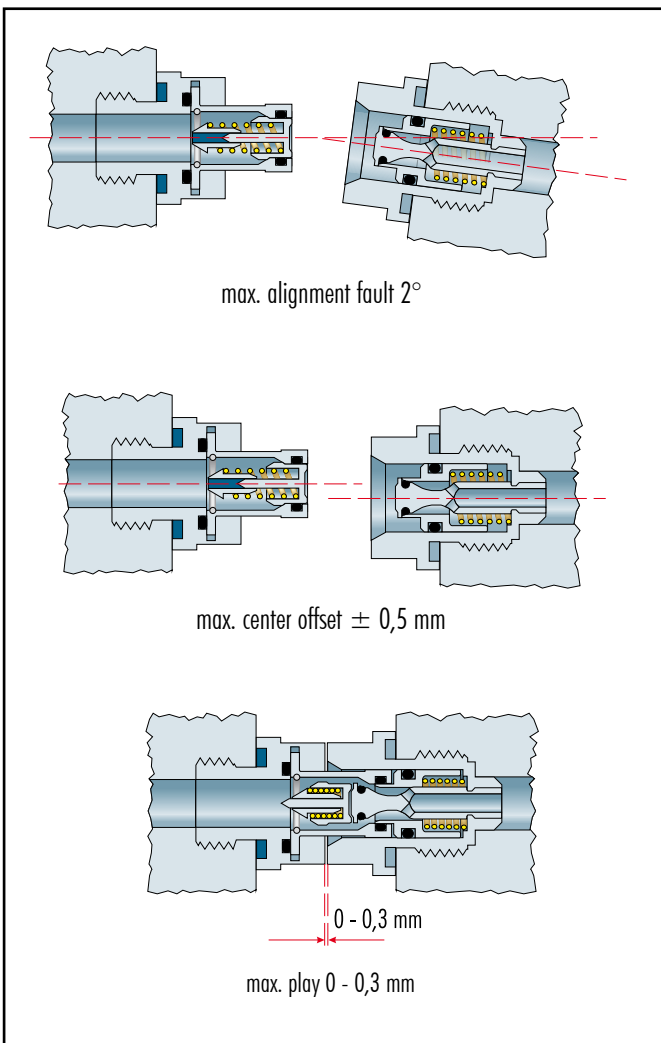
Quick coupling system

Technical characteristics

A reliable and precise system for energy coupling and decoupling with the lowest possible losses through leaks is the CyFit quick-action coupling system. This has a very compact construction and at the same time it guarantees extremely low flow-resistance with high through-flow speeds. Thanks to the integrated offset and angle compensation system it is possible to compensate for production tolerances and inaccuracies during joining (see below). This usually means no need for additional tool holder screw threads, precentring devices and guides.



Angle- and offset- compensation



The angle- and offset-compensation of the couplings guarantee highest tightness and service life.

In addition, a special seal arrangement enables practically leakproof coupling and separating. Trapped air and impurities are avoided.



Important advice:

For proper function of the coupling systems please regard that it only must be coupled and de-coupled in unpressurised condition!

Order code CyFit quick coupler (example):

QC / M / 08 - H

H: High pressure (200 bar max.)

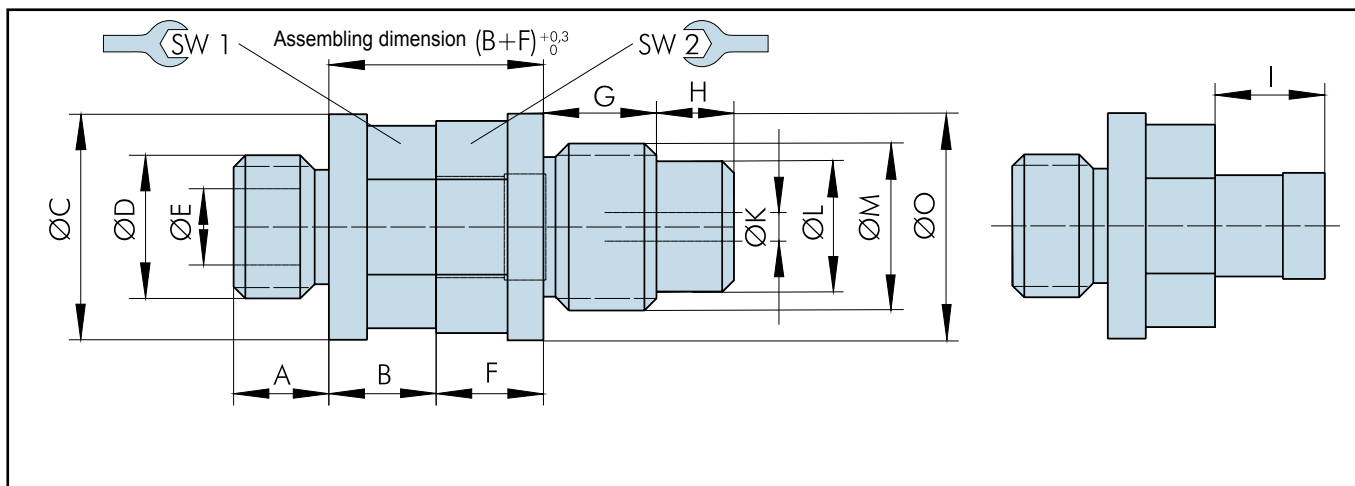
N: Low pressure (80 bar max.)

Dimensions 06 / 08 / 10 / 12 / 14 / 16

M: Male (Fitting), F: Female (Connector)

Quick coupler

Quick coupling system



Dimensions Male (Fitting)							
Designation	A	B	Ø C	Ø D	Ø E	I	SW1
QC/M06-N	8	9	17,5	M 12x1,5	6,4	8,8	16
QC/M08-N	10	9	20,5	M 14x1,5	8,8	10,1	18
QC/M10-N	10	9	24	M 18x1,5	10,8	13,7	22
QC/M12-N	10	9	27	M 20x1,5	12,7	15,7	24
QC/M14-N	12	10	32	M 22x1,5	15,9	17,9	28
QC/M16-N	12	12	41	M 27x2,0	22,7	22,7	36
QC/M06-H	8	9	19	M 12x1,5	6,4	9,2	17
QC/M08-H	10	9	24	M 14x1,5	9	11,2	22

Operation data				
Male/ Female	Tightening torque [Nm]	max. pressure [bar]	max. flow rate [l/min]	Z _{hydr} [mm ²]
QC/M/F06-N	25 - 30	80	4	126
QC/M/F08-N			12	133
QC/M/F10-N			20	196
QC/M/F12-N	30 - 40		30	243
QC/M/F14-N			45	366
QC/M/F16-N			68	585
QC/M/F06-H	25 - 30	200	4	126
QC/M/F08-H			12	133

Dimensions Female (Coupler)								
Designation	F	G	H	Ø K	Ø L	Ø M	Ø O	SW2
QC/F06-N	9	10,5	3,5	2,4	7	M 14x1,5	19	16
QC/F08-N	9	11	9	4	14,5	M 18x1,5	24	18
QC/F10-N	9	16	10	5,4	17,5	M 20x1,5	25	22
QC/F12-N	9	18	11	8,2	19,5	M 22x1,5	27	24
QC/F14-N	8	20	17	11	24	M 27x2,0	32	28
QC/F16-N	6	25	29	14	32	M 36x2,0	48	43
QC/F06-H	9	12,5	3,5	2,4	7	M 14x1,5	19	16
QC/F08-H	9	12	10	4	14,5	M 18x1,5	24	20



248392 Sideroad # 5,
Mono, Ontario, L9W 6L2

1 (888) 580-0011 (toll-free)
1 (905) 822-1161 (local)

sales@bnccomponents.com